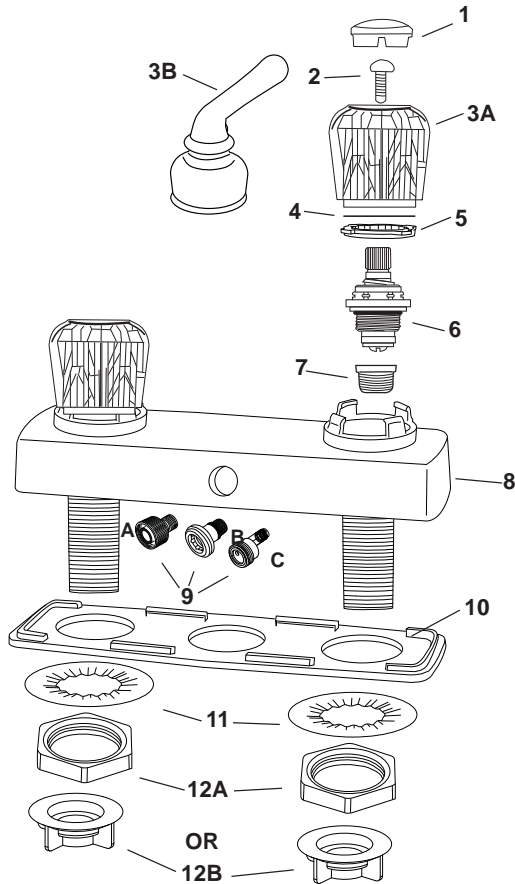


Limited Lifetime Warranty

Valterra Products, LLC warrants our faucets against defects in material or workmanship for the life of your faucet, ordinary wear and tear excluded. Should any faucet, part or parts thereof prove defective, contact Valterra Products, LLC at 800-806-6159 for repair assistance or return authorization. Repair or replacement will be made without charge. Liability for consequential damages under any and all warranties are excluded to the extent such exclusion is permitted by law. Some states do not allow exclusion or limitation and exclusion may not apply to you. This warranty gives you specific legal rights, and you may also have other rights with vary from state to state.



Making Water Work Beautifully



No.	NAME
1	HANDLE BUTTON
2	HANDLE SCREW
3A*	KNOB HANDLE
3B*	TEACUP HANDLE
4	RETAINING RING
5	BONNET LOCK NUT
6	STEM & BONNET
7	RENU SEAT (FOR BRASS UNDERBODIES ONLY)
8	SHIELD
9A*	D-SPUD
9B*	RISER NUT (FOR ADD A SHOWER)
9C*	VACUUM BREAKER
10	BOTTOM PLATE
11*	THIN WALL METAL WASHER
12A*	THIN WALL METAL LOCK NUT
12B*	PLASTIC LOCK NUT



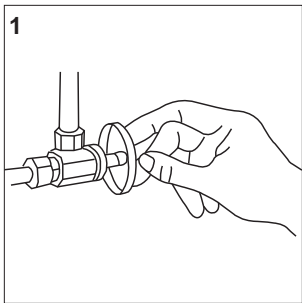
NOTE: Actual parts for your faucet may not look like those shown here. This illustration is for the purpose of identifying the name and placement of parts.

*Asterisked parts are not standard on all models.

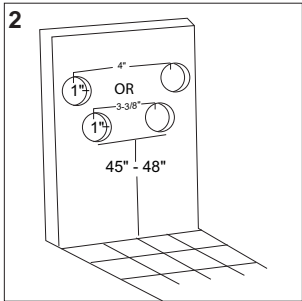
**Two Handle 4", and 3-3/8"
Exposed Shower Valve
Brass or Plastic Underbody**

Valterra Products, LLC
Mission Hills, CA 91346
1.800.806.6159
www.valterra.com

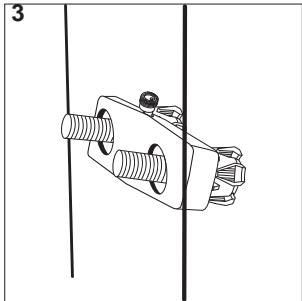




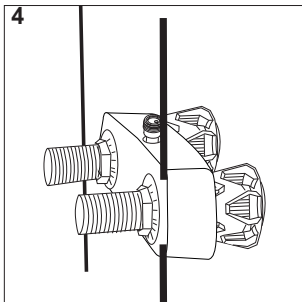
1. SHUT OFF SUPPLY
Shut off hot and cold water supply lines. Clear area of all debris.



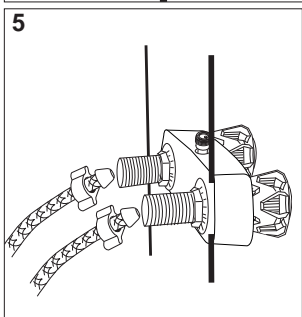
2. DRILL HOLES
Drill (2) 1" diameter holes spaced at 4" or 8" centers (depending on the valve size), in the shower wall surround 45" to 48" above the floor line.



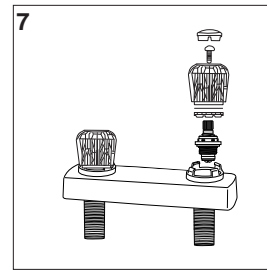
3. POSITION UNIT
Spread a small amount of tub and tile caulk on the surface of the bottom plate facing the wall. Position faucet through holes of wall. Assemble washer and locknuts.



4. TIGHTEN LOCKNUTS
Align faucet from back side of mounting surface and secure by hand tightening locknuts. **THE BOTTOM PLATE MUST BE USED.**



5. CONNECT WATER SUPPLY
Connect water supply: Hot water to the left and cold water to the right. Make sure that the end of your existing supply line is straight and will touch the chamfer on the inside of the threaded shank. Screw the tailpiece nut onto the faucet shank. Hand tighten.



6. FLUSH LINES
Turn on water supply to faucet. Flush lines by running both cold and hot water through faucet in full open position for 15-20 seconds. Check supply lines and shower outlet for leaks.

Troubleshooting

If the faucet develops a leak, it may be the result of debris in the water line which is preventing a good seal. Turn the faucet full on and off several times to flush out any material that may be lodged in the faucet. If the problem persists, follow these steps:

- Turn off the water supply. Open the faucet to relieve any line pressure.
- Unsnap the Hot or Cold index button on the handle. Remove the handle screw using a phillips screwdriver.
- Lift the handle off. Remove the bonnet lock and washer with a small screw driver.
- To remove the stem and bonnet, make sure it is in the full on position and, using a 3/4" deep socket turn the bonnet counter clockwise. Remove debris.
- For faucets with brass underbodies, visually check the surface of the renu seat for cracks, pits or signs of wear that can be caused by harsh water conditions. If any of these conditions exist, The renu seat should be replaced.
- Replace all components in reverse order.
- Turn water on and check for leaks.

OPERATING INSTRUCTIONS

Knob Handles:

Rotating the hot side knob handle counter clockwise, and likewise rotating the cold side knob handle counter clockwise, opens the cartridge and causes water to flow out the center shower outlet. The degree of handle opening determines the volume of water flow. Returning the lever handles to their original position stops the water flow.

Lever Handles:

Rotating the hot side lever handle counter clockwise, and likewise rotating the cold side lever handle clockwise, opens the cartridge and causes water to flow out the center shower outlet. The degree of handle opening determines the volume of water flow. Returning the lever handles to their original position stops the water flow.

CLEANING TIPS

The finish on your Phoenix faucet is designed to retain its beautiful sheen for years. To maintain the original look of the finish, a little care and caution should be used. We recommend the use of mild soap and water to clean the faucet. **THE USE OF ABRASIVE CLEANERS MAY SCRATCH THE FINISH.**

HELPFUL HINTS

Be especially careful when screwing threaded connections together. Do not tighten any connection if the parts are not threading evenly. Unscrew the parts and start over. Unscrew the nut until a click is heard. Then screw the nut on clockwise.

CAUTIONS:

- All plastic connections should be hand tightened. **DO NOT USE TOOLS.**
- No sealant of any kind should be used between the tailpiece nut and the faucet shank.