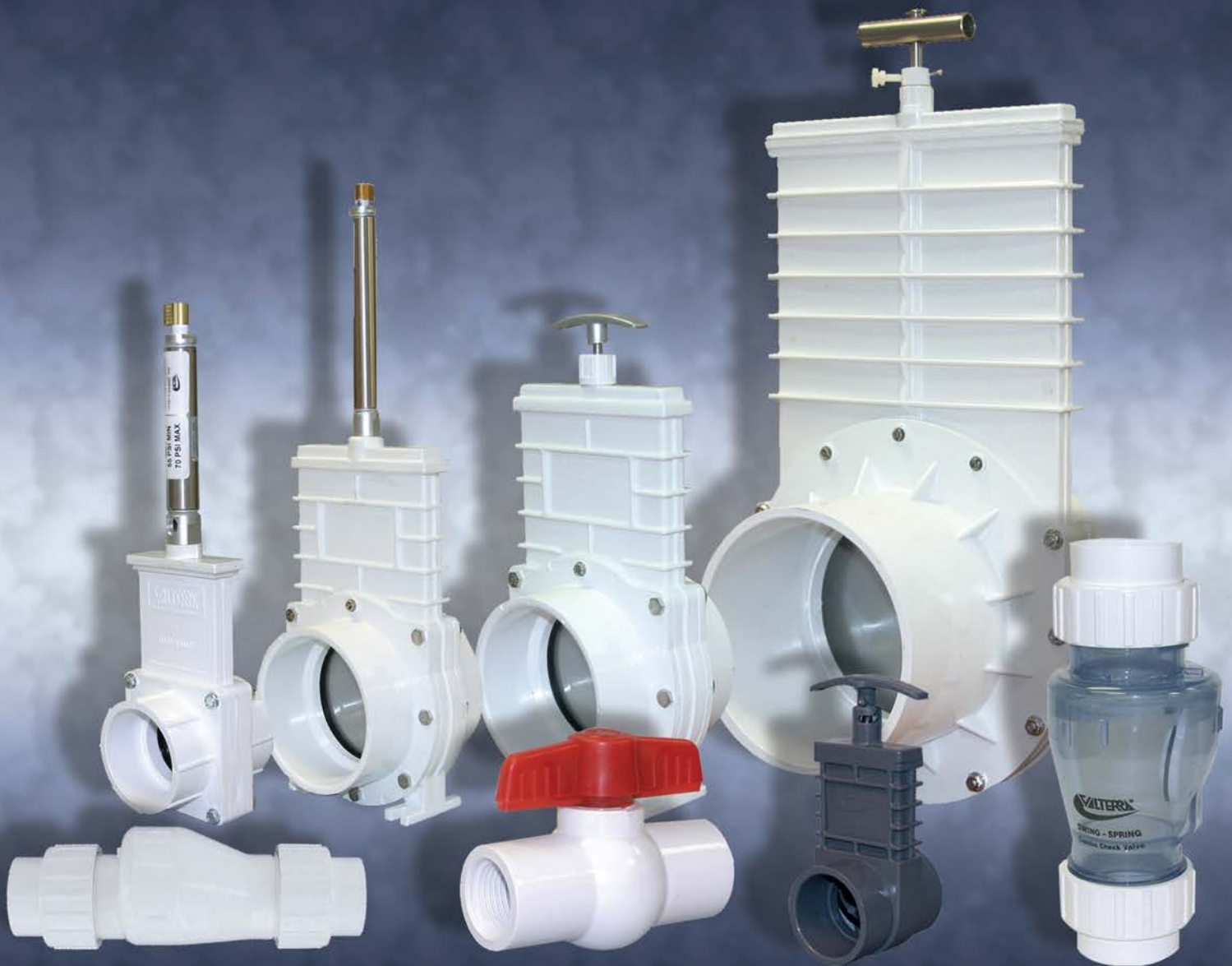




# Industrial Valves & Accessories



# Table of Contents

<b>Valves</b> .....	<b>3-11</b>
Manual Gate Valves.....	3-5
Specialty Gate Valves.....	6
Metric Gate Valves.....	7
Actuated Gate Valves.....	8-9
Ball Valves.....	10
Check Valves.....	10-11
<b>Accessories &amp; Fittings</b> .....	<b>12-17</b>
Gate Valve Accessories & Fittings.....	12-14
Plumbing Accessories.....	15-16
Plastic Barbed Fittings.....	17
<b>Fresh Water</b> .....	<b>18-19</b>
Fresh Water Accessories.....	18
Fresh Water Tanks & Accessories.....	19
<b>Technical Data</b> .....	<b>20-24</b>
<b>Index</b> .....	<b>25-26</b>
<b>Warranty</b> .....	<b>27</b>



Valterra Products - Mission Hills, CA 91345  
[www.valterra.com](http://www.valterra.com)

## 1.5" Gate Valves with Plastic Paddles

Part No. PVC/White	Part No. ABS/Black	Description	Handle	Carton Qty. PVC/White	Carton Qty. ABS/Black
2101X		1-1/2" Slip x Slip Unibody (One Piece Valve) w/Gate Keeper	Plastic	30	
2102X		1-1/2" Slip x Spig Unibody (One Piece Valve) w/Gate Keeper	Plastic	30	
2103X		1-1/2" Spig x Spig Unibody (One Piece Valve) w/Gate Keeper	Plastic	30	
6101	7101	1-1/2" Slip x Slip	Plastic	30	38
6101M	7101M	1-1/2" Slip x Slip	Metal	30	38
6101X	7101X	1-1/2" Slip x Slip w/Gate Keeper	Plastic	30	38
6102	7102	1-1/2" Slip x Spig	Plastic	30	40
6102X		1-1/2" Slip x Spig w/Gate Keeper	Plastic	30	
6103	7103	1-1/2" Spig x Spig	Plastic	30	40
6104	7104	1-1/2" MPT x MPT	Plastic	20	20
6105	7105	1-1/2" MPT x Slip	Plastic	24	26
6105X		1-1/2" MPT x Slip w/Gate Keeper	Plastic	24	
	7105M	1-1/2" MPT x Slip	Metal		26
6106	7106	1-1/2" MPT x Spig	Plastic	24	28
	7106M	1-1/2" MPT x Spig	Metal		26
6107		1-1/2" FPT x FPT	Plastic	30	
6108	7108	1-1/2" FPT x MPT	Plastic	24	26
6108X	7108X	1-1/2" FIPT x MIPT w/Gate Keeper	Plastic	24	26
6109	7109	1-1/2" FPT x Slip	Plastic	30	30
	7110M	1-1/2" FPT x Spig	Metal		36



2101X



7106M



4201



5201

## 2" Gate Valves with Stainless Steel Paddles

Part No. PVC/White	Part No. ABS/Black	Description	Handle	Carton Qty. PVC/White	Carton Qty. ABS/Black
4201	5201	2" Slip x Slip	Metal	20	22
4202		2" Slip x Spig	Metal	20	
4203		2" Spig x Spig	Metal	20	
4204		2" MPT x MPT	Metal	20	
4205		2" MPT x Slip	Metal	20	
4207		2" FPT x FPT	Metal	20	
4208	5208	2" FPT x MPT	Metal	20	20
4209	5209	2" FPT x Slip	Metal	20	22

## 2" Gate Valves with Plastic Paddles



6201



7201

Part No. PVC/White	Part No. ABS/Black	Description	Handle	Carton Qty. PVC/White	Carton Qty. ABS/Black
2201X		2" Slip x Slip Unibody (One Piece Valve) w/Gate Keeper	Plastic	20	
2202X		2" Slip x Spig Unibody (One Piece Valve) w/Gate Keeper	Plastic	20	
2203X		2" Spig x Spig Unibody (One Piece Valve) w/Gate Keeper	Plastic	20	
6201	7201	2" Slip x Slip	Plastic	20	22
	7201M	2" Slip x Slip	Metal		22
6201X	7201X	2" Slip x Slip w/Gate Keeper	Plastic	20	22
6202		2" Slip x Spig	Plastic	20	
6203		2" Spig x Spig	Plastic	20	
	7204	2" MPT x MPT	Plastic		20
	7205	2" MPT x Slip	Plastic		22
6205M		2" MPT x Slip	Metal	20	
	7206	2" MPT x Spig	Plastic		22
	7206M	2" MPT x Spig	Metal		22
6207	7207	2" FPT x FPT	Plastic	20	20
	7208	2" FPT x MPT	Plastic		20
	7208M	2" FPT x MPT	Metal		20
	7209	2" FPT x Slip	Plastic		22
	7210	2" FPT x Spig	Plastic		22

## 3" Gate Valves with Stainless Steel Paddles



4301



5301

Part No. PVC/White	Part No. ABS/Black	Description	Handle	Carton Qty. PVC/White	Carton Qty. ABS/Black
4301	5301	3" Slip x Slip	Metal	12	18
4301S		3" Slip x Slip w/#304 SS Hardware	Metal	12	
4302		3" Slip x Spig	Metal	12	
4303	5303	3" Spig x Spig	Metal	14	18
4304		3" MPT x MPT	Metal	16	
4305		3" MPT x Slip	Metal	16	
	5306	3" MPT x Spig	Metal		18
4307	5307	3" FPT x FPT	Metal	16	18
4308	5308	3" FPT x MPT	Metal	16	18
4309	5309	3" FPT x Slip	Metal	12	18
4310		3" FPT x Spig	Metal	16	

## 3" Gate Valves with Plastic Paddles

Part No. PVC/White	Part No. ABS/Black	Description	Handle	Carton Qty. PVC/White	Carton Qty. ABS/Black
6301	7301	3" Slip x Slip	Plastic	12	18
6301M	7301M	3" Slip x Slip	Metal	12	18
6301S		3" Slip x Slip w/#304 SS Hardware	Plastic	12	
	7302	3" Slip x Spig	Plastic		18
	7302S	3" Slip x Spigot w/#304 SS Hardware	Plastic		18
	7303	3" Spig x Spig	Plastic		18
	7303M	3" Spig x Spig	Metal		18
	7305	3" MPT x Slip	Plastic		18
	7306M	3" MPT x Spig	Metal		18
	7307	3" FPT x FPT	Plastic		18
	7308	3" FPT x MPT	Plastic		18
	7309	3" FPT x Slip	Plastic		18
	7340M	3" Slip x Bay w/Cap	Metal		18
	7342	3" MPT x Bay w/Cap	Plastic		18



6301



7340M

## 4" Gate Valves with Stainless Steel Paddles

Part No. PVC/White	Part No. PVC/Gray	Part No. ABS/Black	Description	Handle	Carton Qty. PVC/White	Carton Qty. PVC/Gray	Carton Qty. ABS/Black
6401	6401G	7401	4" Slip x Slip	Metal	6	6	6



6401

## 6"-12" Gate Valves with Stainless Steel Paddles

Part No. PVC/White	Description	Handle	Carton Qty. PVC/White
6601	6" Slip x Slip	Metal	1
6801	8" Slip x Slip	Metal	1
6910	10" Slip x Slip	Metal	1
6912	12" Slip x Slip	Metal	1



6601

## Gate Valves for Direct Tank Mounting



7311

Part No. ABS/Black	Description	Handle	Carton Qty. ABS/Black
7311	3" Slip x Tank Flange	Plastic	18
7312	3" Spig x Tank Flange	Plastic	18
7314	3" MPT x Tank Flange	Plastic	18

## Corrosion Resistant Gate Valves



8441

Part No. PVC/White	Part No. PVC/Gray	Description	Handle	Carton Qty. PVC/White	Carton Qty. PVC/Gray
6441		4" Slip x Slip w/#304 Shaft & Hardware	Reinforced Plastic	6	
6441S16		4" Slip x Slip w/#316 Shaft & Hardware	Reinforced Plastic	6	
	8441	110mm Slip x Slip w/#304 Shaft & Hardware	Reinforced Plastic		6
	8441S16	110mm Slip x Slip w/#316 Shaft & Hardware	Reinforced Plastic		6



6101BB

## Union and Barbed Valves with Plastic Paddles

Part No. PVC/White	Part No. ABS/Black	Description	Handle	Carton Qty. PVC/White	Carton Qty. ABS/Black
6101BB		1-1/2" Hose Barb x Hose Barb	Plastic	26	
6114		1-1/2" Slip x Union Slip	Plastic	24	
6114X		1-1/2" Slip x Union Slip w/Gate Keeper	Plastic	24	
6124		1-1/2" Valve MPT x Union Slip	Plastic	20	
6124X		1 1/2" MPT x Union Slip w/Gate Keeper	Plastic	20	
6125		1-1/2" Valve, FIPT X Union Slip	Plastic	40	
	7134	1-1/2" MPT x Step Down Pool Hose	Plastic		22
	7134X	1-1/2" MPT x Step Down Pool Hose w/Gate Keeper	Plastic		22
6136X	7136X	1-1/2" MPT x Hose Barb w/Gate Keeper	Plastic	24	24



7134

## "Bag in a Box" Valve (NSF Listed Materials)



7218

Part No. ABS/Black	Description	Handle	Carton Qty. ABS/Black
7218	2" FPT x Polypropylene MPT	Plastic	25
7260-12.75	Box Plunger Assembly (12-3/4")	Plastic	25
7260-15	Box Plunger Assembly (15")	Plastic	25

## Metric Gate Valves with Plastic Paddles

Part No. PVC/Gray	Description	Handle	Carton Qty. PVC/Gray
3101	50mm Slip x Slip Unibody (One Piece Valve)	Plastic	30
3201	63mm Slip x Slip Unibody (One Piece Valve)	Plastic	20
8101	50mm Slip x Slip	Plastic	28
8101X	50mm Slip x Slip w/Gate Keeper	Plastic	28
8201	63mm Slip x Slip	Plastic	16
8201X	63mm Slip x Slip w/Gate Keeper	Plastic	16
8251	75/90mm Slip-Spig x 75/90mm Slip-Spig	Plastic	12
8301	90mm Slip x Slip	Plastic	12
8301X	90mm Slip x Slip w/Gate Keeper	Plastic	12



8101

## Metric Gate Valves with Stainless Steel Paddles

Part No. PVC/Gray	Description	Handle	Carton Qty. PVC/Gray
8301SX	90mm Valve Slip x Slip w/Gate Keeper	Metal	12
8401	110mm Slip x Slip	Metal	6
8401X	110mm Slip x Slip w/Gate Keeper	Metal	6
8601	160mm Slip x Slip	Metal	1
8801	200mm Slip x Slip	Metal	1
8910	250mm Slip x Slip	Metal	1
8912	315mm Slip x Slip	Metal	1



8401

## Metric Gate Valves with Plastic Paddles & Pneumatic Cylinder

Part No. PVC/Gray	Description	Carton Qty. PVC/Gray
8201P	63mm Slip x Slip, Metal Air Cylinder	24
8301P	90mm Slip x Slip, Metal Air Cylinder	9



8201P

## Metric Gate Valves with Stainless Steel Paddles & Pneumatic Cylinder

Part No. PVC/Gray	Description	Carton Qty. PVC/Gray
8201PS	63mm Slip x Slip, Metal Air Cylinder	24
8301PS	90mm Valve, Slip x Slip, Metal Air Cylinder	9
8401P	110mm Slip x Slip, Metal Air Cylinder	6
8801P	200mm Slip x Slip, Metal Air Cylinder	1



8301PS

## Electric Gate Valves with Plastic Paddles



E1003VP

Part No.	Description	Carton Qty.
ABS/Black		ABS/Black
E1003VP	EZ-Valve, Electric Waste Valve System, 3", No Fittings	4
E40-8	EZ-Valve, Electric Waste Valve w/84" Harness, 3" Slip x Spig	4
E40A-8	EZ-Valve, Electric Waste Valve w/84" Harness, 3" Spig x Spig	4
E40B-8	EZ-Valve, Electric Waste Valve w/84" Harness, 3" Slip x 3" Slip	4

## 2" Gate Valves with Stainless Steel Paddles & Pneumatic Cylinder



9201S

Part No.	Part No.	Description	Carton Qty.	Carton Qty.
PVC/White	ABS/Black		PVC/White	ABS/Black
4201P		2" Slip x Slip, Metal Air Cylinder	24	
	9201S	2" Slip x Slip, Metal Air Cylinder		28
	9207S	2" FPT x FPT, Metal Air Cylinder		20

## 2" Gate Valves with Plastic Paddles & Pneumatic Cylinder



6201P

Part No.	Part No.	Description	Carton Qty.	Carton Qty.
PVC/White	ABS/Black		PVC/White	ABS/Black
6201P		2" Slip x Slip, Metal Air Cylinder	24	
	9201	2" Slip x Slip, Metal Air Cylinder		28
	9201P	2" Slip x Slip, Plastic Air Cylinder		12
	9204	2" MPT x MPT, Metal Air Cylinder		20
	9207	2" FPT x FPT, Metal Air Cylinder		20
	9208	2" FPT x MPT, Metal Air Cylinder		20



9201

## 3" Gate Valves with Stainless Steel Paddles & Pneumatic Cylinder



9301S

Part No.	Part No.	Description	Carton Qty.	Carton Qty.
PVC/White	ABS/Black		PVC/White	ABS/Black
4301P		3" Slip x Slip, Metal Air Cylinder	9	
	9301S	3" Slip x Slip, Metal Air Cylinder		12
	9303S	3" Spig x Spig, Metal Air Cylinder		12
	9303SS	3" Spig x Spig, Metal Air Cylinder w/#304 Hardware		12
	9307S	3" FPT x FPT, Metal Air Cylinder		12

## 3" Gate Valves with Plastic Paddles & Pneumatic Cylinder

Part No. PVC/White	Part No. ABS/Black	Description	Carton Qty. PVC/White	Carton Qty. ABS/Black
	9301	3" Slip x Slip, Metal Air Cylinder		12
	9302	3" Slip x Spig, Metal Air Cylinder		12
	9303	3" Spig x Spig, Metal Air Cylinder		12
	9304	3" MPT x MPT, Metal Air Cylinder		12
	9305	3" Slip x MPT, Metal Air Cylinder		12
	9307	3" FPT x FPT, Metal Air Cylinder		12
	9311	3" Slip x Tank Flange, Metal Air Cylinder		12
	9312	3" Spig x Tank Flange, Metal Air Cylinder		12
6301P		3" Slip x Slip, Metal Air Cylinder	9	
	9301P	3" Slip x Slip, Plastic Air Cylinder		15



9301



9301P

## 4" - 12" Gate Valves with Stainless Steel Paddles & Pneumatic Cylinder

Part No. PVC/White	Description	Carton Qty. PVC/White
6401P	4" Slip x Slip, Metal Air Cylinder	6
6601P	6" Slip x Slip, Metal Air Cylinder	1
6801P	8" Slip x Slip, Metal Air Cylinder	1
6910P	10" Slip x Slip, Metal Air Cylinder	1
6912P	12" Slip x Slip, Metal Air Cylinder	1



6401P



6201PMS

## Gate Valves with Stainless Steel Paddles, Pneumatic Cylinder & Magnetic Piston

Part No. PVC/White	Part No.	Description	Carton Qty. PVC/White	Carton Qty.
6201PMS		2" Slip x Slip, Metal Air Cylinder & Magnetic Piston	24	
6401PM		4" Slip x Slip, Metal Air Cylinder & Magnetic Piston	6	
	I460	Reed Switch for Magnetic Piston		1
	I462	Mounting Bracket for Reed Switch		1



I460



I462

## Cable Valves, Remote Actuating

Part No. PVC/White	Description	Carton Qty. PVC/White
H6101H72	1-1/2" Slip x Slip, Plastic Paddle w/72" Cable	10
6201H72	2" Slip x Slip, Plastic Paddle w/72" Cable	10



6201H72

**Compact Ball Valves**



700-11

Part No. PVC/White	Description	Carton Qty. PVC/White
700-12	1/2" Slip x Slip	24
700-12F	1/2" FPT x FPT	24
700-14	3/4" Slip x Slip	24
700-14F	3/4" FPT x FPT	24
700-10	1" Slip x Slip	18
700-10F	1" FPT x FPT	18
700-11	1-1/4" Slip x Slip	10
700-11F	1-1/4" FPT x FPT	10
700-15	1-1/2" Slip x Slip	12
700-15F	1-1/2" FPT x FPT	12
700-20	2" Slip x Slip	6
700-20F	2" FPT x FPT	6

**Compact Ball Valves, Single Handle**



700-30

Part No. PVC/White	Description	Carton Qty. PVC/White
700-25F	2-1/2" FPT x FPT	2
700-30	3" Slip x Slip	1
700-40	4" Slip x Slip	2
700-40F	4" FPT x FPT	2

**Corrosion Resistant Check Valves**

(Can be used with pool and spa chlorinators)



310-20

Part No. CPVC/Black	Description	Tension	Carton Qty. CPVC/Black
310-20	2" Window Check Valve, Slip x Slip	1/2 Lb.	12

## Swing (No Spring) Check Valves

Part No. PVC/White	Part No. PVC/Clear	Description	Carton Qty. PVC/White	Carton Qty. PVC/Clear
200-05NS		1/2" Slip x Slip Swing Check	10	
200-07NS		3/4" Slip x Slip Swing Check	12	
200-10NS		1" Slip x Slip Swing Check	12	
200-15W	200-C15W	1-1/2" Slip x Slip Swing Check (IMPORT VERSION)	6	6
200-15NS		1-1/2" Slip x Slip Swing Check	8	
200-20W	200-C20W	2" Slip x Slip Swing Check (IMPORT VERSION)	4	4
200-20NS		2" Slip x Slip Swing Check	9	
200-30NS		3" Slip x Slip Swing Check	5	
	200-CU50	50MM Union Slip x Slip Swing Check		12
	200-CU63	63MM Union Slip x Slip Swing Check		12



200-15W



200-CU50

## Swing/Spring Combo Check Valves

Part No. PVC/White	Part No. PVC/Clear	Description	Tension	Carton Qty. PVC/White	Carton Qty. PVC/Clear
200-05		1/2" Slip x Slip Check	1/2 Lb.	10	
	200-C05F	1/2" FPT x FPT Check	1/2 Lb.		10
200-07	200-C07	3/4" Slip x Slip Check	1/2 Lb.	12	12
200-07F	200-C07F	3/4" FPT x FPT Check	1/2 Lb.	12	12
	200-C10	1" Slip x Slip Check	1/2 Lb.		12
200-15	200-C15	1-1/2" Slip x Slip Check	1/2 Lb.	8	8
200-20	200-C20	2" Slip x Slip Check	1/2 Lb.	9	9
200-30	200-C30	3" Slip x Slip Check	1/2 Lb.	5	5
	200-CU15	1-1/2" Union x Union Check	1/2 Lb.		12
200-U20	200-CU20	2" Union x Union Check	1/2 Lb.	12	12
	200-CUS50	50MM Union x Union Check	1/2 Lb.		12
	200-CUS63	63MM Union x Union Check	1/2 Lb.		12



200-C05F



200-07



## Valve Body Kits, Manual & Pneumatic

Part No. PVC/White	Part No. ABS/Black	Description	Handle/ Paddle	Carton Qty. PVC/White	Carton Qty. ABS/Black
6100PB	7100PB	1-1/2" Valve Body Kit, Seals, Hardware, Bagged	Plastic / Plastic	100	100
	7100PBM	1-1/2" Valve Body Kit, Seals, Hardware, Bagged	Metal / Plastic		100
6200PB	7200PB	2" Valve Body Kit, Seals, Hardware, Bagged	Plastic / Plastic	46	46
4300PB	5300PB	3" Valve Body Kit, Seals, Hardware, Bagged	Metal / SS	26	26
	7300NH	3" Valve Body w/Seals, No Handle/No Hardware	NA / Plastic		26
6300PB	7300PB	3" Valve Body Kit, Seals, Hardware, Bagged	Plastic / Plastic	26	26
		3" Valve Body Kit, Seals, Hardware, Bagged	Metal / Plastic		26
6300SPB		3" Valve Body Kit, Seals, #304 Hardware, Bagged	Plastic / Plastic	26	
	9300PB	3" Pneumatic Valve Body Kit, Metal Air Cylinder, Seals, Hardware, Bagged	Pneumatic / Plastic		25
6400PB		4" Valve Body Kit, Seals, Hardware, Bagged	Metal / SS	12	
6600PB		6" & 8" Valve Body Kit, Seals, Hardware, Bagged	SS / SS	5	
6900PB		10" & 12" Valve Body Kit, Seals, Hardware, Bagged	SS / SS	1	
6900PB		12" Pneumatic Valve Body Kit, Metal Air Cylinder, Seals, Hardware, Bagged	Pneumatic / SS	1	

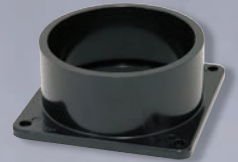
## Seals



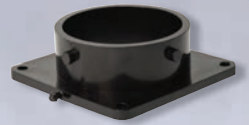
Part No.	Description	Carton Qty.
1001-7N	1-1/2" Gate Seal, Sarlink®, 1pc, Bulk	300
1001-9PB	1-1/2" Gate Seals w/Hardware, Sarlink®, 2pc, Bagged	50
1002-7N	2" Gate Seal, Sarlink®, 1pc, Bulk	200
1002-9PB	2" Gate Seals w/Hardware, Sarlink®, 2pc, Bagged	50
1003-7N	3" Gate Seal, Sarlink®, 1pc, Bulk	350
1003-9PB	3" Gate Seals w/Hardware, Sarlink®, 2pc, Bagged	50
1004-7N	4" Gate Seal, Sarlink®, 1pc, Bulk	150
1008C-7N	6" and 8" Gate Seals, Sarlink®, 1pc, Bulk	14
1009-7	10" and 12" Gate Seals, Sarlink®, 1pc, Bulk	10
2004	1-1/2" Union Hub O-Ring	1

## Flanged Valve Fittings, Caps and Adapters

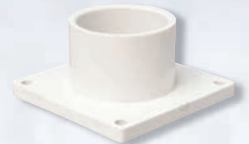
Part No. PVC/White	Part No. ABS/Black	Part No. PVC/Gray	Description	Carton Qty. PVC/White	Carton Qty. ABS/Black	Carton Qty. PVC/Gray
1005-1W	1005-1		1-1/2" Slip Flanged Valve Fitting	100	50	
1006-1W	1006-1		1-1/2" Spig Flanged Valve Fitting	60	60	
	1007-1		1-1/2" FPT Flanged Valve Fitting		30	
1008-1W	1008-1		1-1/2" MPT Flanged Valve Fitting	50	50	
1005-2W	1005-2		2" Slip Flanged Valve Fitting	60	70	
1006-2W	1006-2		2" Spig Flanged Valve Fitting	70	70	
1007-2W	1007-2		2" FPT Flanged Valve Fitting	96	96	
1008-2W	1008-2		2" MPT Flanged Valve Fitting	15	15	
1005W	1005		3" Slip Flanged Valve Fitting	60	60	
1006W	1006		3" Spig Flanged Valve Fitting	65	65	
	1005-5		3" Tank Flanged Valve Fitting		150	
	1007		3" FPT Flanged Valve Fitting		48	
	1008		3" MPT Flanged Valve Fitting		42	
	1009		3" Bayonet Lugs Flanged Valve Fitting		84	
1005-4CW			4" Slip Flanged Valve Fitting	28		
1005-6			6" Slip Flanged Valve Fitting	2		
1005-8			8" Slip Flanged Valve Fitting	2		
1005-10W			10" Slip Flanged Valve Fitting	1		
1005-12W			12" Slip Flanged Valve Fitting	1		
	1005-90MM		90mm Slip Flanged Valve Fitting			60
	1005-110MM		110mm Slip Flanged Valve Fitting			16
	1020		3" Termination Cap w/Bay Hooks		160	
	1024		3" Straight Hose Adapter w/Bay Hooks		100	
	1025		3" 45° Hose Adapter w/Bay Hooks		50	



1005



1009



1006-1W



1003-6WN



1003-6MN



1008C-6

## Handles

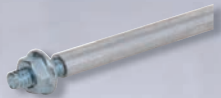
Part No.	Description	Carton Qty.
2203-6W	Plastic Handle, Fits 1-1/2" - 2" Unibody Valve, PVC/White	300
1003-6N	Plastic Handle, Fits 1-1/2" - 3" Bolted Valve, ABS/Black	100
1003-6WN	Plastic Handle, Fits 1-1/2" - 3" Bolted Valve, PVC/White	100
1003-6MN	Metal Handle, Fits 1-1/2" - 4" Bolted Valve, Aluminum	110
1008C-6	Metal Handle, Fits 6" and 8" Bolted Valve, Stainless Steel	5
1009C-6	Metal Handle, Fits 10" and 12" Bolted Valves, #304 Stainless Steel	30

## Safety Locks



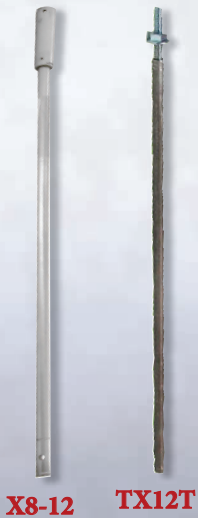
Part No. ABS/Red	Part No. PE/Black	Description	Carton Qty. ABS/Red	Carton Qty. PE/Black
601		Safety Lock for 1-1/2" Valves	1	
602		Safety Lock for 2" Valve	1	
	603	Safety Lock for 3" Valve		1

## Gate Valve Extension Rod Kits



TX24T

Part No.	Description	Carton Qty.
TX12T	Extension Rod, 12", For 1-1/2" to 3" Valves, Aluminum	1
TX24T	Extension Rod, 24", For 1-1/2" to 3" Valves, Aluminum	1
TX36T	Extension Rod, 36", For 1-1/2" to 3" Valves, Aluminum	1
X4-6	Extension Rod, 6", For 4" Valves, Stainless Steel	1
X4-12	Extension Rod, 12", For 4" Valves, Stainless Steel	1
X4-13	Extension Rod, 13", For 4" Valves, Stainless Steel	1
X4-24	Extension Rod, 24", For 4" Valves, Stainless Steel	1
X4-36	Extension Rod, 36", For 4" Valves, Stainless Steel	1
X4-48	Extension Rod, 48", For 4" Valves, Stainless Steel	1
X4-60	Extension Rod, 60", For 4" Valves, Stainless Steel	1
X4-84	Extension Rod, 84", For 4" Valves, Stainless Steel	1
X4-144	Extension Rod, 144", For 4" Valves, Stainless Steel	1
X8-12	Extension Rod, 12", For 6" & 8" Valves, Stainless Steel	1
X8-24	Extension Rod, 24", For 6" & 8" Valves, Stainless Steel	1
X8-36	Extension Rod, 36", For 6" & 8" Valves, Stainless Steel	1
X8-48	Extension Rod, 48", For 6" & 8" Valves, Stainless Steel	1
X8-54	Extension Rod, 54", For 6" & 8" Valves, Stainless Steel	1
X8-60	Extension Rod, 60", For 6" & 8" Valves, Stainless Steel	1
X8-72	Extension Rod, 72", For 6" & 8" Valves, Stainless Steel	1
X8-84	Extension Rod, 84", For 6" & 8" Valves, Stainless Steel	1
X8-96	Extension Rod, 96", For 6" & 8" Valves, Stainless Steel	1
X8-120	Extension Rod, 120", For 6" & 8" Valves, Stainless Steel	1
X12-24	Extension Rod, 24", For 10" and 12" Valves, Stainless Steel	1
X12-36	Extension Rod, 36", For 10" & 12" Valves, Stainless Steel	1
X12-48	Extension Rod, 48", For 10" & 12" Valves, Stainless Steel	1
X12-50	Extension Rod, 50", For 10" & 12" Valves, Stainless Steel	1
X12-72	Extension Rod, 72", For 10" & 12" Valves, Stainless Steel	1
X12-84	Extension Rod, 84", For 10" & 12" Valves, Stainless Steel	1
X12-96	Extension Rod, 96", For 10" & 12" Valves, Stainless Steel	1
X12-108	Extension Rod, 108", For 10" & 12" Valves, Stainless Steel	1
X12-144	Extension Rod, 144", For 10" & 12" Valves, Stainless Steel	1



X8-12

TX12T

## Bulkhead Parts

Part No.	Description	Carton Qty.
7150	1-1/2" Thick Gasket, 0.210", Rubber	500
7151	1-1/2" Thin Gasket, 0.130", Rubber	1000
7152	1-1/2" Locknut, Die Cast Metal	500
7252	2" Locknut, Die Cast Metal	350
7180	1-1/2" Male Thread x 1-1/2" Hose Barb w/Flange, ABS Black	200
7180G	1-1/2" Male Thread x 1-1/2" Hose Barb w/Flange, ABS Gray	200



**7150**



**7152**

## Hose Clamps

Part No.	Description	Band Width	Carton Qty.
H03-0015	Micro Hose Clamp # 4, Stainless Steel, 1/4" x 5/8", Bagged	5/16"	10
H03-0015BU	Micro Hose Clamp # 4, Stainless Steel, 1/4" x 5/8", No UPC, Bulk	5/16"	100
H03-0016	Micro Hose Clamp # 6, Stainless Steel, 3/8" x 7/8", Bagged	5/16"	10
H03-0016BU	Micro Hose Clamp # 6, Stainless Steel, 3/8" x 7/8", No UPC, Bulk	5/16"	100
H03-0020BU	Hose Clamp # 6, Stainless Steel, 3/8" x 7/8", No UPC, Bulk	1/2"	100
H03-0001	Hose Clamp # 8, Stainless Steel, 7/16" x 1", Bagged	1/2"	10
H03-0001BU	Hose Clamp # 8, Stainless Steel, 7/16" x 1", No UPC, Bulk	1/2"	100
H03-0002	Hose Clamp # 10, Stainless Steel, 1/2" x 1-1/16", Bagged	1/2"	10
H03-0002BU	Hose Clamp # 10, Stainless Steel, 1/2" x 1-1/16", No UPC, Bulk	1/2"	50
H03-0003	Hose Clamp # 12, Stainless Steel, 1/2" x 1-1/4", Bagged	1/2"	10
H03-0003BU	Hose Clamp # 12, Stainless Steel, 1/2" x 1-1/4", No UPC, Bulk	1/2"	100
H03-0004	Hose Clamp # 20, Stainless Steel, 3/4" x 1-3/4", Bagged	1/2"	10
H03-0004BU	Hose Clamp # 20, Stainless Steel, 3/4" x 1-3/4", No UPC, Bulk	1/2"	50
H03-0006	Hose Clamp # 24, Stainless Steel, 1" x 2", Bagged	1/2"	10
H03-0006BU	Hose Clamp # 24, Stainless Steel, 1" x 2", No UPC, Bulk	1/2"	50
H03-0007	Hose Clamp # 36, Stainless Steel, 1" x 2-3/4", Bagged	1/2"	10
H03-0007BU	Hose Clamp # 36, Stainless Steel, 1" x 2-3/4", No UPC, Bulk	1/2"	50
H03-0008	Hose Clamp # 48, Stainless Steel, 2-1/2" x 3-1/2", Bagged	1/2"	10
H03-0008BU	Hose Clamp # 48, Stainless Steel, 2-1/2" x 3-1/2", No UPC, Bulk	1/2"	50
H03-0009	Hose Clamp # 56, Stainless Steel, 3" x 4", Bagged	1/2"	10
H03-0009BU	Hose Clamp # 56, Stainless Steel, 3" x 4", No UPC, Bulk	1/2"	50
H03-0010	Hose Clamp # 28, Stainless Steel, 1-1/4" x 2-1/4", Bagged	1/2"	10
H03-0010BU	Hose Clamp # 28, Stainless Steel, 1-1/4" x 2-1/4", No UPC, Bulk	1/2"	50
H03-0011BU	Hose Clamp # 32, Stainless Steel, 1-1/2" x 2-1/2", No UPC, Bulk	1/2"	50
H03-0014	Hose Clamp # 52, Stainless Steel, 2-3/4" x 3-3/4", Bagged	1/2"	10
H03-0014BU	Hose Clamp # 52, Stainless Steel, 2-3/4" x 3-3/4", No UPC, Bulk	1/2"	50
H03-0017	Hose Clamp # 64, Stainless Steel, 2-1/2" x 4-1/2", Bagged	1/2"	10
H03-0017BU	Hose Clamp # 64, Stainless Steel, 2-1/2" x 4-1/2", No UPC, Bulk	1/2"	25
H03-0019BU	Hose Clamp # 72, Stainless Steel, 3" x 5", No UPC, Bulk	1/2"	25
H03-0058	Hose Clamp # 48, Galvanized Steel, 2-1/2" x 3-1/2", No UPC, Bulk	1/2"	25
H03-0058VP	Hose Clamp # 48, Galvanized Steel, 2-1/2" x 3-1/2", 2pc, Carded	1/2"	46



**H03-0016**



**H03-0001**



**H03-0004**

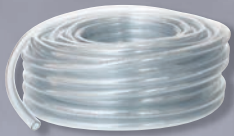


**H03-0010**



**H03-0058**

## Vinyl Tubing



**W01-1400**

Part No. PVC/Clear	Part No. Reinforced	Description	Carton Qty. PVC/Clear	Carton Qty. Reinforced
W01-1400		3/8" I.D. x 1/2" O.D. x 100', Clear Vinyl, Boxed	2	
W01-1400BU		3/8" I.D. x 1/2" O.D. x 100', Clear Vinyl, Bulk	4	
W01-1600		1/2" I.D. x 5/8" O.D. x 100', Clear Vinyl, Boxed	6	
	W01-1800	1/2" I.D. x 5/8" O.D. x 50', High Pressure Reinforced, White w/Blue Stripe (Cold Only)		6

## Unions



**140-15CS**

Part No. PVC/White	Description	Carton Qty. PVC/White
140-15CS	1-1/2" Union, Standard, Slip x Slip	48
140-20CS	2" Union, Standard, Slip x Slip	24
2098-1W	1-1/2" Half Pump Union	25



**1019-1A**

## Drain Spouts

Part No. ABS/Black	Description	Carton Qty. ABS/Black
1019-1A	45° Drain Spout, 1-1/2" Male Slip x 1-1/2" Female Slip	200
1019-2	45° Drain Spout, 2" Male Slip x 2" Female Slip	100

## PTFE Tape



**A05-0260**

Part No.	Description	Carton Qty.
A05-0262	PTFE Tape, 1/2" x 24"	500
A05-0260	PTFE Tape, 1/2" x 260"	100
A05-0265	PTFE Tape, 1/2" x 520"	100

## Male Adapter



RF850

Part No. PP/Black	Description	Carton Qty. PP/Black
RF850	1/4" MPT x 3/8" Barb, Straight	25
RF834	3/8" MPT x 3/8" Barb, Straight	25
RF840	3/8" MPT x 1/2" Barb, Straight	25
RF841	1/2" MPT x 1/2" Barb, Straight	25
RF883	1/2" MPT x 3/8" Barb, Straight	25

## 90° Ell



RF854

Part No. PP/Black	Description	Carton Qty. PP/Black
RF854	3/8" Barb x 3/8" Barb, Elbow	25
RF844	1/2" Barb x 1/2" Barb, Elbow	25

## Coupler



RF855

Part No. PP/Black	Description	Carton Qty. PP/Black
RF855	3/8" Barb x 3/8" Barb, Straight	25
RF845	1/2" Barb x 1/2" Barb, Straight	25

## Tee Male Adapter



RF849

Part No. PP/Black	Description	Carton Qty. PP/Black
RF849	1/2" MPT x 1/2" Barb x 1/2" Barb	25

## Reducer Coupler



RF884

Part No. PP/Black	Description	Carton Qty. PP/Black
RF884	3/8" Barb x 1/4" Barb, Straight	25
RF885	1/2" Barb x 3/8" Barb, Straight	25

## Tee



RF843

Part No. PP/Black	Description	Carton Qty. PP/Black
RF852	3/8" Barb x 3/8" Barb x 3/8" Barb	25
RF843	1/2" Barb x 1/2" Barb x 1/2" Barb	25

## 90° Drain Elbow



RF839

Part No. PP/Black	Description	Carton Qty. PP/Black
RF839	90° Drain Elbow w/ 3/4" Barb End	400

## 90° Ell Male Adapter



RF842

Part No. PP/Black	Description	Carton Qty. PP/Black
RF848	1/4" MPT x 1/2" Barb, Elbow	25
RF842	3/8" MPT x 1/2" Barb, Elbow	25
RF882	1/2" MPT x 3/8" Barb, Elbow	25
RF846	1/2" MPT x 1/2" Barb, Elbow	25

### High Pressure Drinking Water Hose



W01-5300BU

Part No. Vinyl/White	Description	Carton Qty. Vinyl/White
W01-5120	1/2" x 10' Water Hose, Carded	10
W01-5300	1/2" x 25' Water Hose, Carded	5
W01-5300BU	1/2" x 25' Water Hose, Bulk	10
W01-5600	1/2" x 50' Water Hose, Carded	3
W01-6300	5/8" x 25' Water Hose, Carded	4
W01-6300BU	5/8" x 25' Water Hose, Bulk	8
W01-6600	5/8" x 50' Water Hose, Carded	3



A01-0130VP

### Double Hose Shutoff

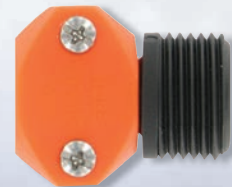
Part No.	Description	Carton Qty.
A01-0130VP	Double Hose Shutoff, Plastic, Orange, Carded	50
A01-0131VP	Double Hose Shutoff, Metal, Carded	20



A01-0144VP

### Hi Flow Single Hose Shutoff

Part No. ABS/Black	Description	Carton Qty. ABS/Black
A01-0144VP	Hi-Flow Single Hose Shutoff, Carded	30



A01-0050VP

### Hose Fixers

Part No.	Description	Carton Qty.
A01-0050VP	Hose Fixer, HSE x MGH, Carded	20
A01-0055VP	Hose Fixer, HSE x FGH, Carded	20



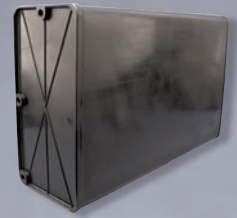
A01-0136VP

### Pistol Nozzles

Part No.	Description	Carton Qty.
A01-0134VP	Pistol Nozzle, Metal, Carded	30
A01-0136VP	Pistol Nozzle, Plastic, Orange, Carded	36

## ABS Water Tanks

Part No. ABS/Black	Description	Carton Qty. ABS/Black
R8012	8" x 16" x 12" ABS Water Tank	1
R8018	8" x 16" x 18" ABS Water Tank	1
R8024	8" x 16" x 24" ABS Water Tank	1
R8030	8" x 16" x 30" ABS Water Tank	1
R8036	8" x 16" x 36" ABS Water Tank	1
R8042	8" x 16" x 42" ABS Water Tank	1
R8048	8" x 16" x 48" ABS Water Tank	1



**R8018**

## ABS Tank Fill Kits, Fittings & Cement

Part No. PE/Black	Part No. ABS/Black	Part No.	Description	Carton Qty. PE/Black	Carton Qty. ABS/Black	Carton Qty.
RF835			3/8" MPT x 3/8" Barb, 90° Elbow	25		
	RF836		Fill Cap 1-1/2" FPT		200	
	RF865		Pipe Plug 3/8" MPT		25	
	RF907		Barbed Fill-Elbow 1-1/4"		25	
	RF908		Barbed Fill-Straight 1-1/4"		25	
	RF909		Fill Thread Adapter 1-1/2" MPT		25	
	RF922		Drain Nut, 3/8" FPT		200	
	RK907		ABS Tank Fill Kit - 90° Barbed Elbow, 1-1/4", with Cement			18
	RK908		ABS Tank Fill Kit - Straight Barbed Elbow, 1-1/4", with Cement			18
	RK909		ABS Tank Fill Kit - Thread with Cap, 1-1/2", with Cement			16



**RK907**

## Gate Valve Technical Data



### GATE VALVE TECHNICAL DATA

#### MATERIAL & GENERAL SPECIFICATIONS

	1½" (50mm)	2" (63mm or 75/90mm)	3" (90mm)	4" (110mm)	6" / 8" (160/200mm)	10" / 12" (250/315mm)
Color	White or Black (Gray)	White or Black (Gray)	White or Black (Gray)	White or Black (Gray)	White (Gray)	White (Gray)
Hubs	PVC or ABS (PVC)	PVC or ABS (PVC)	PVC or ABS (PVC)	PVC or ABS (PVC)	PVC	PVC
Body	PVC or ABS (PVC)	PVC or ABS (PVC)	PVC or ABS (PVC)	PVC or ABS (PVC)	ABS	ABS
Shaft	304SS	304SS	304SS	304SS	304SS	304SS
Paddle	Polypro	Polypro or 304SS	Polypro or 304SS	304SS	304SS	304SS
Handle	Plastic or Die Cast Al	Plastic or Die Cast Al	Plastic or Die Cast Al	Die Cast Al	304SS	304SS
Seals	Sarlink	Sarlink	Sarlink	Sarlink	Sarlink	Sarlink
Max PSI Open/Closed	30/45	20/40	15/15	15/15	6/10	6/8
Mid-Flow Max Closing Pressure	6 psi	5 psi (PP) 10 psi (SS)	.5 psi (PP) 9 psi (SS)	7 psi	2.5 psi	2.5 psi
Pneumatic Air Cylinder	N/A	Metal or Reinforced Nylon	Metal or Reinforced Nylon	Metal	Metal	Metal

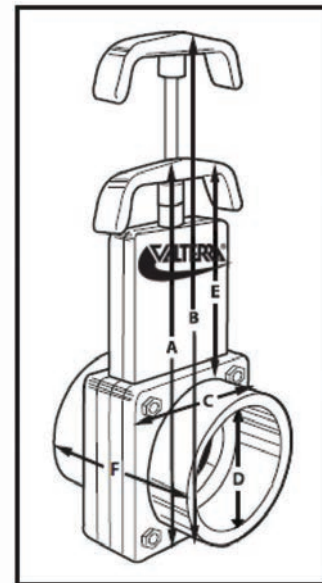
#### Notes:

Metric Valves are Gray PVC

All Valves are Schedule 40

#### MANUAL VALVE DIMENSIONS (Inches)(mm)

Size	A	B	C	D	E	F
1.5 ABS	6.5	8.625	2.896	1.912	3.9375	2.875
1.5 PVC	6.5	8.625	2.896	1.913	3.9375	3.375
50mm	168	222	72.6	50.3	98	98
2 ABS	7.5	10.25	3.364	2.388	4.5	3.125
2 PVC	7.5	10.25	3.37	2.387	4.5	3.5
63mm	191	260	85.4	63.3	111	105
75/90mm	238	324	111	75.3	130	133
3 ABS	9.25	13	4.35	3.518	5.1875	4.5
3 PVC	9.25	13	4.37	3.516	5.1875	4.5
90mm	238	324	111	90.3	130	133
4 ABS	13.25	18	6.665	4.518	7.4375	5.1875
4 PVC	13.25	18	6.665	4.518	7.4375	5.1875
110mm	330	454	169	110.4	181	130
6 PVC	22.75	31.125	11.1	6.647	13.25	11.125
160mm	572	800	279.4	160.7	343	279
8 PVC	22.75	31.125	11.1	8.655	12.1875	13.75
200mm	572	797	279.4	200.7	327	276
10 PVC	35	48.5	18.475	10.78	19.625	13.75
250mm	889	1232	469.3	251	514.4	341.3
12 PVC	35	48.5	18.475	12.78	18.625	15.375
315mm	889	1232	469.3	316	485.8	409



"B" Dimension is height of valve in fully open position

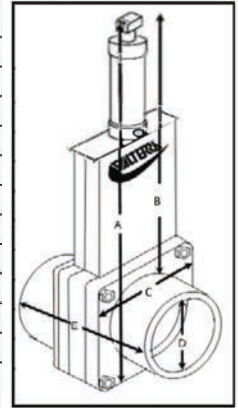
## Gate Valve Technical Data



### GATE VALVE TECHNICAL DATA

#### PNEUMATIC VALVE - ALUMINUM/STAINLESS STEEL AIR CYLINDER DIMENSIONS (Inches)(mm)

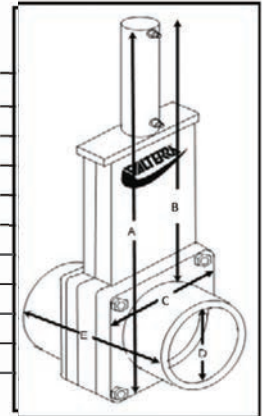
Size	A	B	C	D	E	Air Tubing Size	Recomm. Operating Pressure	Cylinder Air Volume
2	12.5	8.5	3.364	2.388	3	1/4"	55-70 psi	1.209 in <sup>3</sup>
63mm	318	216	85.4	63.3	105	1/4"	55-70 psi	1.209 in <sup>3</sup>
3	15.5	11.25	4.35	3.518	4.5	1/4"	55-70 psi	1.662 in <sup>3</sup>
90mm	394	286	111	90.3	133	1/4"	55-70 psi	1.662 in <sup>3</sup>
4	19.5	13.25	6.665	4.518	5	1/4"	55-70 psi	1.742 in <sup>3</sup>
110mm	489	337	169	110.4	130	1/4"	55-70 psi	1.742 in <sup>3</sup>
6	33	24	11.1	6.647	11.125	1/4"	90-120 psi	19.36 in <sup>3</sup>
160mm	838	610	279.4	160.7	279	1/4"	90-120 psi	19.36 in <sup>3</sup>
8	33	22.75	11.1	8.655	13.75	1/4"	90-120 psi	19.36 in <sup>3</sup>
200mm	838	590	279.4	200.7	276	1/4"	90-120 psi	19.36 in <sup>3</sup>
10	50	34	18.475	10.78	13.1	1/4"	100-130 psi	51.08 in <sup>3</sup>
12	50	33	18.475	12.78	15.375	1/4"	100-130 psi	51.08 in <sup>3</sup>



Note: Aluminum/SS Air Cylinders assembled with Air Restrictor - removal of restrictor voids warranty  
Cylinder working temperature: 40°F - 140°F

#### PNEUMATIC VALVE - REINFORCED NYLON PLASTIC AIR CYLINDER DIMENSIONS (Inches)(mm)

Size	A	B	C	D	E	Air Tubing Size	Recomm. Operating Pressure	Cylinder Air Volume
2	11	8	3.364	2.388	3	I.D. 4 mm x O.D. 6 mm	60-75 psi	1.196 in <sup>3</sup>
3	13	8.5	4.35	3.518	4.5	I.D. 4 mm x O.D. 6 mm	60-75 psi	1.196 in <sup>3</sup>



Note: Cylinder working temperature: 40°F - 140°F

#### CEMENT

VALVE FITTING	PIPE	SIZE	CEMENT
ABS	PVC	1.5-6"	Use IPS #794 or equivalent
ABS	ABS	1.5-3"	Use IPS #771 or equivalent
PVC	ABS	1.5-6"	Use IPS #794 or equivalent
PVC	PVC	1.5-12"	Use IPS #717 or equivalent

#### STATIC HEAD PRESSURE

Feet Head	PSI
1	0.43
3	1.03
6	2.6
9	3.9
12	5.2
15	6.51
20	8.66
30	12.99
40	17.32
50	21.65

► Feet Head to PSI, multiply by 0.434  
► PSI to Feet Head, multiply by 2.3

#### VALVE MAX WORKING TEMPERATURE

Material	Suggested Maximum Working Temperature	
ABS	205° F	96° C
PVC	167° F	75° C
PC	280° F	137° C

## 4" / 110mm Rust-Free Paddle Valve Technical Data



| **DOMETIC**

### GATE VALVE TECHNICAL DATA

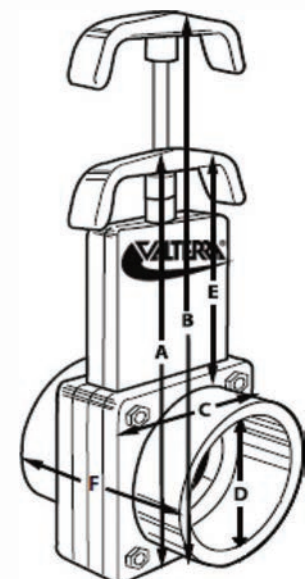
#### 4"/110mm RUST-FREE PADDLE VALVE

<b>MATERIAL &amp; GENERAL SPECIFICATIONS</b>				
<b>Part #</b>	8441	8441S16	6441	6441S16
<b>Size</b>	110mm	110mm	4"	4"
<b>Color</b>	Gray	Gray	White	White
<b>Hubs</b>	PVC	PVC	PVC	PVC
<b>Body</b>	PVC	PVC	PVC	PVC
<b>Shaft</b>	304 Stainless Steel	316 Stainless Steel	304 Stainless Steel	316 Stainless Steel
<b>Paddle</b>	Polypropylene	Polypropylene	Polypropylene	Polypropylene
<b>Handle</b>	Heavy Duty Plastic	Heavy Duty Plastic	Heavy Duty Plastic	Heavy Duty Plastic
<b>Seals</b>	Sarlink	Sarlink	Sarlink	Sarlink
<b>Max PSI Open/Closed</b>	15/15	15/15	15/15	15/15
<b>Mid-Flow Max Closing Pressure</b>	6 PSI	6 PSI	6 PSI	6 PSI

<b>MANUAL VALVE DIMENSIONS</b>						
Size	A	B	C	D	E	F
4"	13.25"	18"	6.665"	4.518"	7.4375"	5.1875"
110mm	330mm	454mm	169mm	110.4mm	181mm	130mm

"B" Dimension is height of valve in fully open position

U.S. Patent 9,845,890



# SPECIFICATIONS - COMPACT BALL VALVES - Size 1/2" to 4"

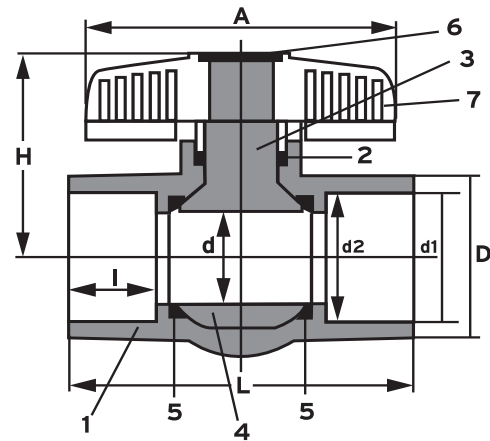
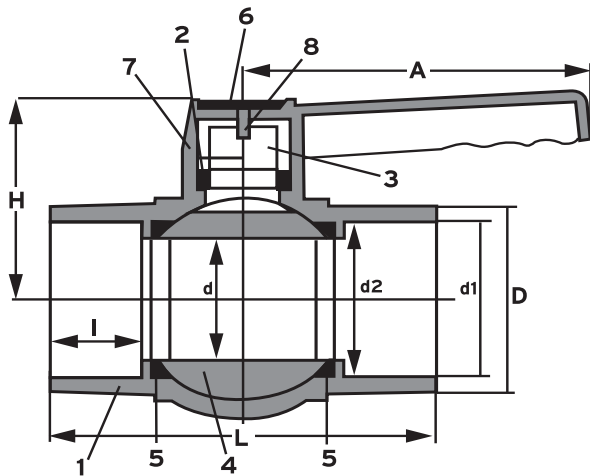


2-1/2" - 4"

1/2" - 2"

## SPECIFICATION OF MATERIAL

NO	PART	MATERIAL
1	BODY	UPVC, CPVC
2	STEM O-RING	EPDM, FPM(NBR)
3	STEM	UPVC, CPVC
4	BALL	UPVC, CPVC
5	SEAT SEAL	TPE, TPV, TPO
6	CAP	PVC, ABS
7	HANDLE	PVC, ABS
8	SCREW	SS304, STEEL



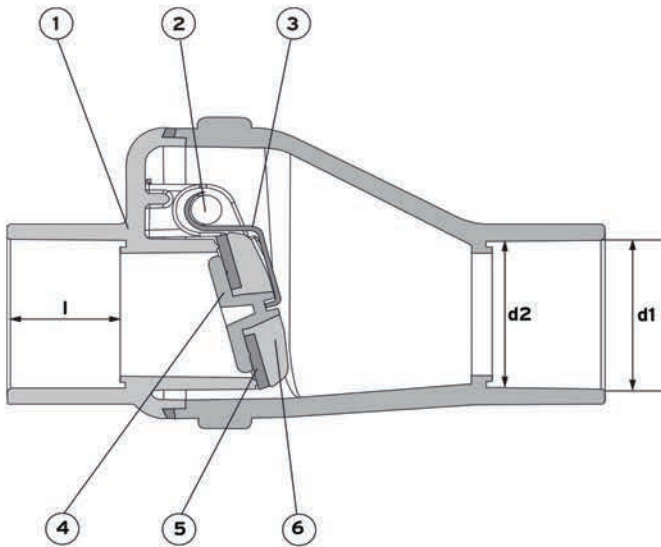
## ANSI SOCKET BALL VALVES

SIZE	I (min)	D1	D2	D	H	A	L	D
1/2"	0.688	0.848	0.836	0.591	1.457	2.677	3.031	1.181
3/4"	0.719	1.058	1.046	0.748	2.165	3.15	3.583	1.398
1"	0.895	1.325	1.31	0.945	2.598	3.701	4.055	1.693
1-1/4"	0.938	1.67	1.655	1.181	2.874	3.937	4.37	2.047
1-1/2"	1.094	1.912	1.894	1.339	3.189	4.331	4.843	2.441
2"	1.156	2.387	2.369	1.772	3.583	5.354	5.748	2.953
2-1/2"	1.75	2.889	2.868	2.165	3.898	6.693	7.008	3.583
3"	1.875	3.516	3.492	2.756	4.764	8.268	8.268	4.173
4"	2	4.518	4.491	3.346	5.276	9.291	10.039	5.118

## NPT THREADED BALL VALVES

SIZE	THREADS/IN	D	H	A	L	D
1/2"	14	0.591	1.457	2.677	3.031	1.181
3/4"	14	0.748	2.165	3.15	3.583	1.398
1"	11.5	0.945	2.598	3.701	4.055	1.693
1-1/4"	11.5	1.181	2.874	3.937	4.37	2.047
1-1/2"	11.5	1.339	3.189	4.331	4.843	2.441
2"	11.5	1.772	3.583	5.354	5.748	2.953
2-1/2"	8	2.165	3.898	6.693	7.008	3.583
3"	8	2.756	4.764	8.268	8.268	4.173
4"	8	3.346	5.276	9.291	10.039	5.118

## SPECIFICATIONS - SWING/SPRING COMBO CHECK VALVES



### SPECIFICATION OF MATERIAL

ITEM	PARTS	MATERIAL
1	BODY	PVC, WHITE OR CLEAR
2	SHAFT	NORYL GFN3
3	SPRING	316 STAINLESS STEEL
4	SEAL RETAINER	PVC WHITE
5	SEAL	BUNA, 40 SHORE
6	GATE	PVC WHITE

### ANSI SOCKET SWING/SPRING CHECK VALVES

SIZE	l (min)	d1	d2
1/2"	0.688	0.848	0.836
3/4"	0.719	1.058	1.046
1"	0.895	1.325	1.310
1-1/2"	1.094	1.912	1.894
2"	1.156	2.387	2.369
3"	1.875	3.516	3.492

## FLOW VS. PRESSURE DROP

### 1-1/2" COMBO CHECK VALVES

FLOW RATE (GPM)	0	10	20	30	40	50	60	70	80	90	100
PSI DROP ( $\Delta P$ )	0.00	0.40	0.52	0.63	0.76	0.90	1.08	1.26	1.46	1.70	1.88

Air Temp = 75 Deg. F    Water Temp = 82 Deg. F    TDS = 390 ppm

### 2" COMBO CHECK VALVES

FLOW RATE (GPM)	0	10	20	30	40	50	60	70	80	90	100	110	120	130	140	150
PSI DROP ( $\Delta P$ )	0.00	0.25	0.33	0.38	0.45	0.51	0.56	0.59	0.61	0.65	0.67	0.70	0.72	0.78	0.85	0.94

Air Temp = 78 Deg. F    Water Temp = 82 Deg. F    TDS = 390 ppm

### 3" COMBO CHECK VALVES

FLOW RATE (GPM)	0	10	20	30	40	50	60	70	80	90	100	110	120	130	140	150	160	170	180
PSI DROP ( $\Delta P$ )	0.00	0.04	0.04	0.04	0.05	0.05	0.06	0.06	0.07	0.07	0.08	0.09	0.10	0.11	0.13	0.14	0.15	0.17	0.17

Air Temp = 78 Deg. F    Water Temp = 84 Deg. F    TDS = 390 ppm

Part #	Page #	Part #	Page #	Part #	Page #	Part #	Page #	Part #	Page #
140-15CS	16	700-30	10	1020	13	6101X	3	6910P	9
140-20CS	16	700-40	10	1024	13	6102	3	6912	5
200-05	11	700-40F	10	1025	13	6102X	3	6912P	9
200-05NS	11	1001-7N	12	2004	12	6103	3	7100PB	12
200-07	11	1001-9PB	12	2098-1W	16	6104	3	7100PBM	12
200-07F	11	1002-7N	12	2101X	3	6105	3	7101	3
200-07NS	11	1002-9PB	12	2102X	3	6105X	3	7101M	3
200-10NS	11	1003-6MN	13	2103X	3	6106	3	7101X	3
200-15	11	1003-6N	13	2201X	4	6107	3	7102	3
200-15NS	11	1003-6WN	13	2202X	4	6108	3	7103	3
200-15W	11	1003-7N	12	2203-6W	13	6108X	3	7104	3
200-20	11	1003-9PB	12	2203X	4	6109	3	7105	3
200-20NS	11	1004-7N	12	3101	7	6114	6	7105M	3
200-20W	11	1005	13	3201	7	6114X	6	7106	3
200-30	11	1005-1	13	4201	3	6124	6	7106M	3
200-30NS	11	1005-10W	13	4201P	8	6124X	6	7108	3
200-C05F	11	1005-110MM	13	4202	3	6125	6	7108X	3
200-C07	11	1005-12W	13	4203	3	6136X	6	7109	3
200-C07F	11	1005-1W	13	4204	3	6200PB	12	7110M	3
200-C10	11	1005-2	13	4205	3	6201	4	7134	6
200-C15	11	1005-2W	13	4207	3	6201H72	9	7134X	6
200-C15W	11	1005-4CW	13	4208	3	6201P	8	7136X	6
200-C20	11	1005-5	13	4209	3	6201PMS	9	7150	15
200-C20W	11	1005-6	13	4300PB	12	6201X	4	7151	15
200-C30	11	1005-8	13	4301	4	6202	4	7152	15
200-CU15	11	1005-90MM	13	4301P	8	6203	4	7180	15
200-CU20	11	1005W	13	4301S	4	6205M	4	7180G	15
200-CU50	11	1006	13	4302	4	6207	4	7200PB	12
200-CU63	11	1006-1	13	4303	4	6300PB	12	7201	4
200-CUS50	11	1006-1W	13	4304	4	6300SPB	12	7201M	4
200-CUS63	11	1006-2	13	4305	4	6301	5	7201X	4
200-U20	11	1006-2W	13	4307	4	6301M	5	7204	4
310-20	10	1006W	13	4308	4	6301P	9	7205	4
601	14	1007	13	4309	4	6301S	5	7206	4
602	14	1007-1	13	4310	4	6400PB	12	7206M	4
603	14	1007-2	13	5201	3	6401	5	7207	4
700-10	10	1007-2W	13	5208	3	6401G	5	7208	4
700-10F	10	1008	13	5209	3	6401P	9	7208M	4
700-11	10	1008-1	13	5300PB	12	6401PM	9	7209	4
700-11F	10	1008-1W	13	5301	4	6441	6	7210	4
700-12	10	1008-2	13	5303	4	6441S16	6	7218	6
700-12F	10	1008-2W	13	5306	4	6600PB	12	7252	15
700-14	10	1008C-6	13	5307	4	6601	5	7260-12.75	6
700-14F	10	1008C-7N	12	5308	4	6601P	9	7260-15	6
700-15	10	1009	13	5309	4	6801	5	7300NH	12
700-15F	10	1009-7	12	6100PB	12	6801P	9	7300PB	12
700-20	10	1009C-6	13	6101	3	6900PB	12	7300PBM	12
700-20F	10	1019-1A	16	6101BB	6	6900PPB	12	7301	5
700-25F	10	1019-2	16	6101M	3	6910	5	7301M	5

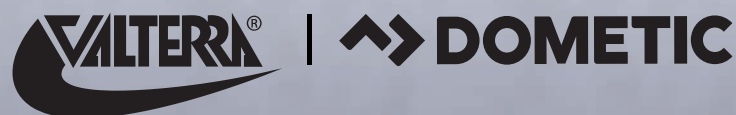
Part #	Page #	Part #	Page #	Part #	Page #	Part #	Page #
7302	5	9302	9	H03-0016BU	15	TX36T	14
7302S	5	9303	9	H03-0017	15	W01-1400	16
7303	5	9303S	8	H03-0017BU	15	W01-1400BU	16
7303M	5	9303SS	8	H03-0019BU	15	W01-1600	16
7305	5	9304	9	H03-0020BU	15	W01-1800	16
7306M	5	9305	9	H03-0058	15	W01-5120	18
7307	5	9307	9	H03-0058VP	15	W01-5300	18
7308	5	9307S	8	H6101H72	9	W01-5300BU	18
7309	5	9311	9	I460	9	W01-5600	18
7311	6	9312	9	I462	9	W01-6300	18
7312	6	A01-0050VP	18	R8012	19	W01-6600	18
7314	6	A01-0055VP	18	R8018	19	X4-6	14
7340M	5	A01-0130VP	18	R8024	19	X4-12	14
7342	5	A01-0131VP	18	R8030	19	X4-13	14
7401	5	A01-0134VP	18	R8036	19	X4-24	14
8101	7	A01-0136VP	18	R8042	19	X4-36	14
8101X	7	A01-0144VP	18	R8048	19	X4-48	14
8201	7	A05-0260	16	RF834	17	X4-84	14
8201P	7	A05-0262	16	RF835	19	X4-144	14
8201PS	7	A05-0265	16	RF836	19	X8-12	14
8201X	7	E1003VP	8	RF839	17	X8-24	14
8251	7	E40-8	8	RF840	17	X8-36	14
8301	7	E40A-8	8	RF841	17	X8-48	14
8301P	7	E40B-8	8	RF842	17	X8-54	14
8301PS	7	H03-0001	15	RF843	17	X8-60	14
8301SX	7	H03-0001BU	15	RF844	17	X8-72	14
8301X	7	H03-0002	15	RF845	17	X8-84	14
8401	7	H03-0002BU	15	RF846	17	X8-96	14
8401P	7	H03-0003	15	RF848	17	X8-120	14
8401X	7	H03-0003BU	15	RF849	17	X12-24	14
8441	6	H03-0004	15	RF850	17	X12-36	14
8441S16	6	H03-0004BU	15	RF852	17	X12-48	14
8601	7	H03-0006	15	RF854	17	X12-50	14
8801	7	H03-0006BU	15	RF855	17	X12-72	14
8801P	7	H03-0007	15	RF865	19	X12-84	14
8910	7	H03-0007BU	15	RF882	17	X12-96	14
8912	7	H03-0008	15	RF883	17	X12-108	14
9201	8	H03-0008BU	15	RF884	17	X12-144	14
9201P	8	H03-0009	15	RF885	17		
9201S	8	H03-0009BU	15	RF907	19		
9204	8	H03-0010	15	RF908	19		
9207	8	H03-0010BU	15	RF909	19		
9207S	8	H03-0011BU	15	RF922	19		
9208	8	H03-0014	15	RK907	19		
9300PB	12	H03-0014BU	15	RK908	19		
9301	9	H03-0015	15	RK909	19		
9301P	9	H03-0015BU	15	TX12T	14		
9301S	8	H03-0016	15	TX24T	14		

## **Warranty on Valterra Products**

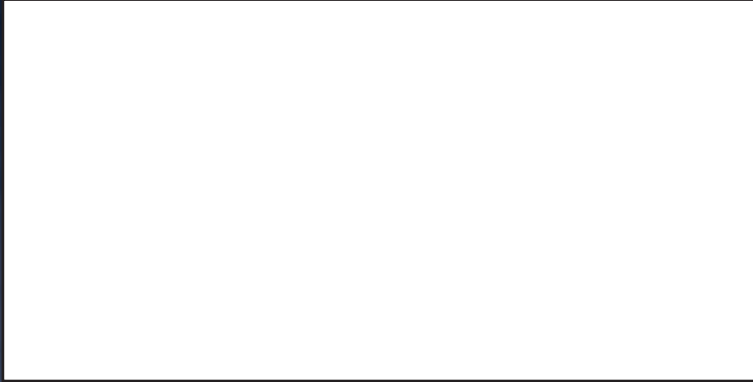
Products are warranted free from defects in workmanship and materials for a period of one year from date of retail sale. There are no other express warranties given.

The guarantee applies when the product is used for the purpose intended, under normal conditions, with proper winterization (where applicable), and does not apply to damages caused by improper installation and/or operation. This warranty is void if the product has been damaged by accident, acts of God, unreasonable use, neglect, or other causes not arising out of defect of material or workmanship.

Any implied warranties arising out of the sale of any product, including but not limited to the implied warranty of merchantability and fitness for a particular purpose, are limited to the extent and duration of the express warranty herein. Manufacturer shall not be liable for loss of use of this product or other incidental or consequential costs, expenses, or damages incurred by the customer or any other user. There are no warranties provided other than stated herein. Valterra reserves the right to change dimensions, specifications, or price without prior notice.



Valterra Products - Mission Hills, CA 91345  
[www.valterra.com](http://www.valterra.com)



Valterra Products - Mission Hills, CA 91345  
[www.valterra.com](http://www.valterra.com)